

Spare Parts List

GARUDAN[®]

GPS/F-1006 series



ANITA B, s.r.o.

Průmyslová 2453/7

680 01 Boskovice

Czech Republic

tel: +420 516 454 774

+420 516 453 496

fax: +420 516 452 751

e-mail: info@anita.cz

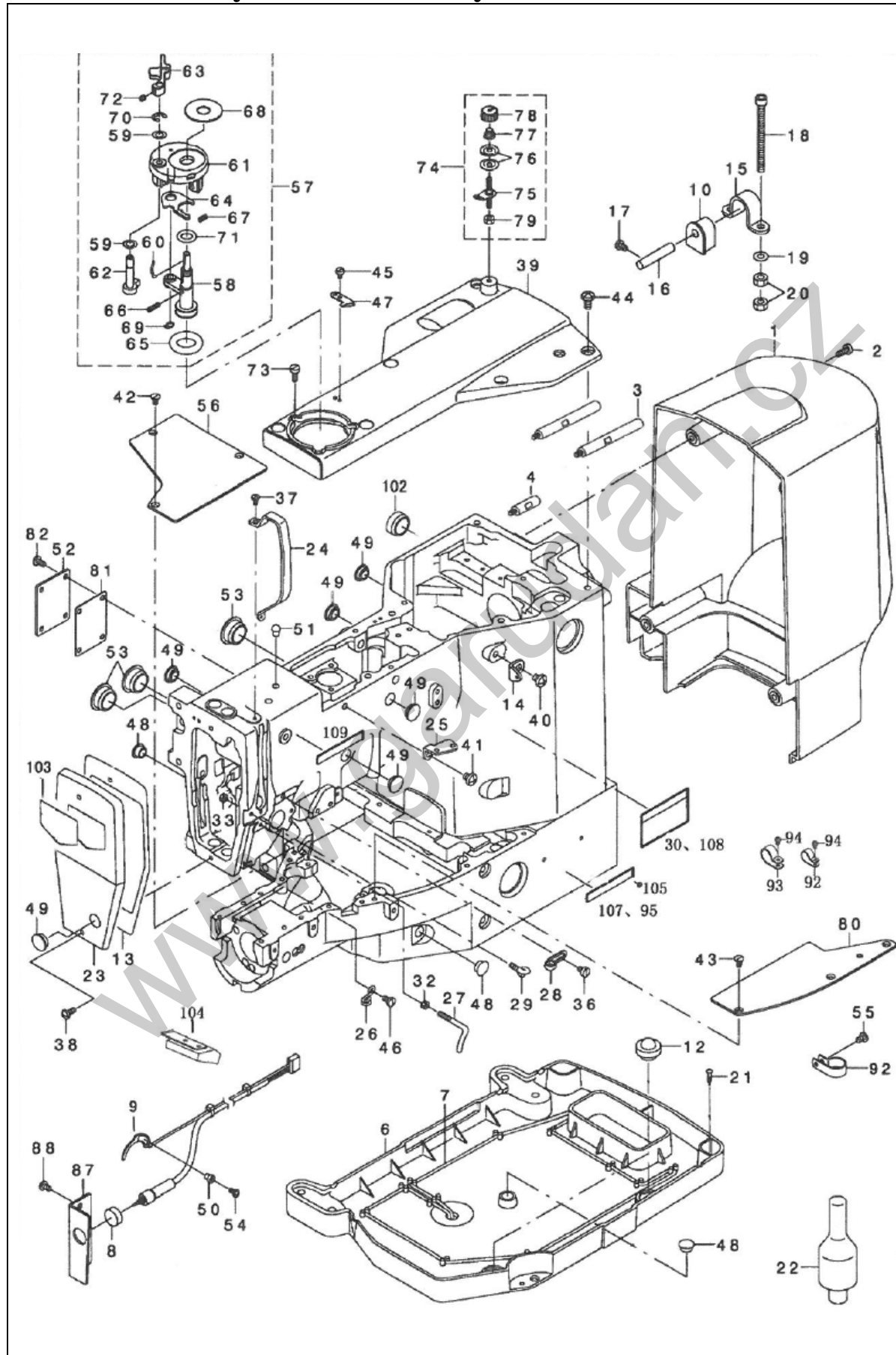
www.garudan.cz

Atlas of Parts

CONTENTS

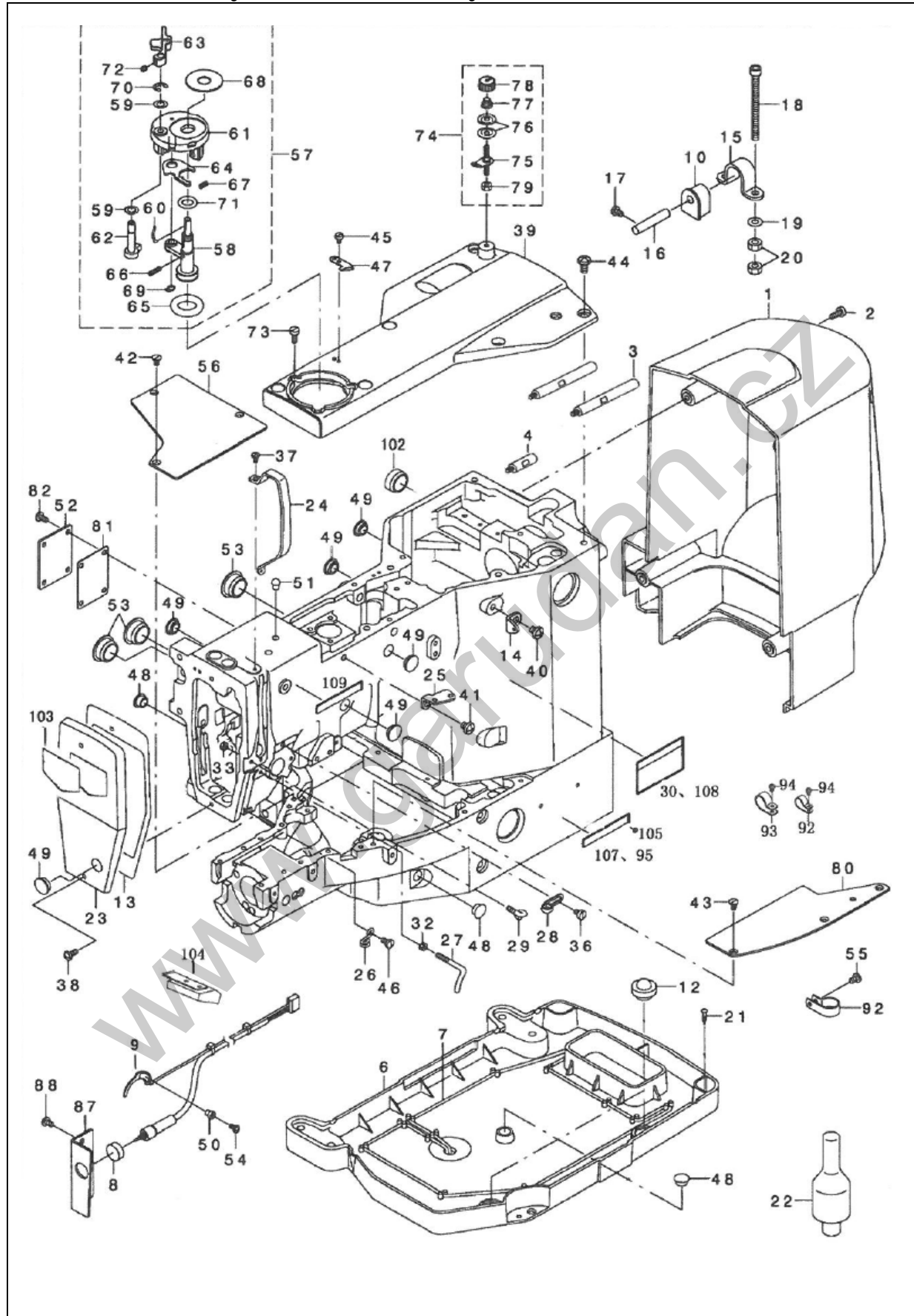
1. Machine Body & Machine Body Parts
2. Upper Shaft Mechanism
3. Presser Foot Mechanism
4. Lower Shaft Mechanism
5. Wiper Mechanism
6. Thread Release & Thread Tension Mechanism
7. Thread Trimming Mechanism
8. X-Y Moving Mechanism
9. Feed Mechanism
11. Lubrication Mechanism
- 11.1 Additional Lubrication Mechanism
12. Air Control Mechanism
13. Control Box & Other Mechanism
14. Accessories

1. Machine Body & Machine Body Parts



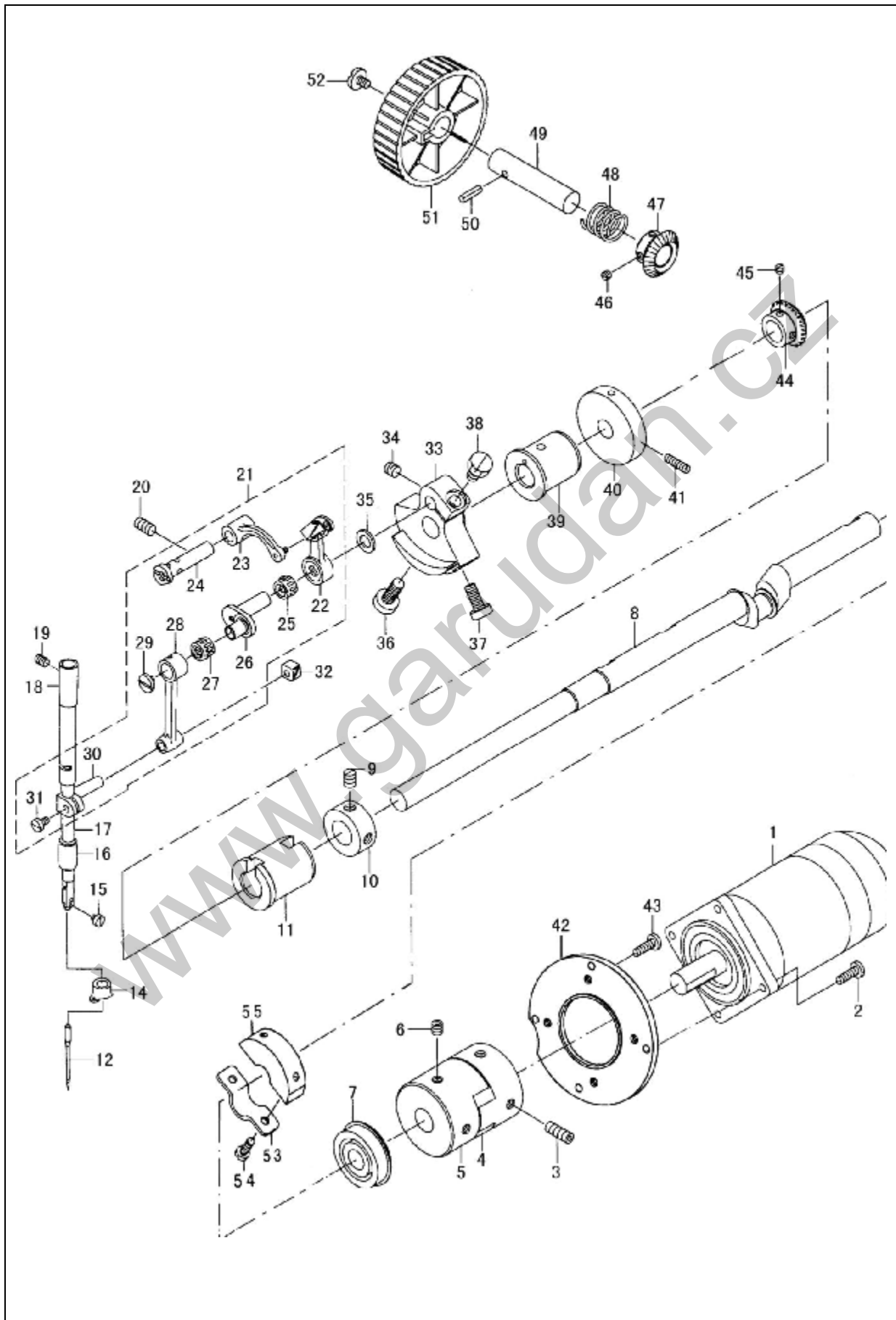
Ref.No	Parts No	NAME OF PARTS	Q'ty	Assembly No
1-1	71112000	MOTOR COVER	1	
1-2	003205080025	SCREW (GB-70-85 M5X25)	3	
1-3	72115001	LONG SUPPORT	2	
1-4	72115002	SHORT SUPPORT	1	
1-6	71110001	OIL PAN	1	
1-7	71110030	OIL WICK	1	
1-8	70310018	PAUSE SWITCH	1	
1-9	70380015	THREAD DETECTING PLATE	1	
1-10	71110005	HINGE RUBBER	2	
1-12	71110006	FRAME SUPPORT RUBBER	2	
1-13	73310011	FACE PACKING	1	
1-14	71110008	THREAD GUIDE NO.1	1	
1-15	71110009	BED HINGE	2	
1-16	71110010	HINGE STUD	2	
1-17	70360053	SCREW	2	
1-18	71110032	HEXAGONAL-HOLE BOLT	4	
1-19	70221002	WASHER	4	
1-20	71110034	NUT(GB/T41-2000 M6)	8	
1-21	10080020	SCREW	4	
1-22	71110011	SUPPORT BAR	1	
1-23	71110012	FACE PLATE	1	
1-24	71110013	BALANCE COVER	1	
1-25	71110014	THREAD GUIDE PLATE	1	
1-26	71110015	ARM THREAD GUIDE B	1	
1-27	71110016	THREAD GUIDE	1	
1-28	10030016	ARM THREAD GUIDE A	1	
1-29	71110018	THREAD GUIDE	1	
1-30	26010038	SAFETY LABEL	1	
1-32	70310033	Nut(9/64"×40)	1	
1-33	71110033	Nut(9/64"×40)	1	
1-36	10030017	SCREW(SM11/64×40 L=6)	1	
1-37	71110038	SCREW(SM9/64×40 L=7)	2	
1-38	105A0017	SCREW (SM11/64X40 L=12)	2	
1-39	71110023	TOP COVER	1	
1-40	71110040	SCREW(SM15/64×28 L=7)	2	
1-41	71110040	SCREW	1	
1-42	71170028	SCREW (SM11/64X40 L=6)	3	
1-43	71170028	SCREW (SM11/64X40 L=6)	3	
1-44	105A0012	SCREW(15/64×28 L=12)	6	
1-45	10110002	SCREW(SM9/64×40 L=5.5)	1	
1-46	703D0034	SCREW (SM11/64X40 L=8)	1	
1-47	71110025	THREAD CUTTER	1	
1-48	71110021	RUBBER PLUB (10.5)	3	
1-49	71110028	RUBBER PLUG (12.5)	6	
1-50	70380018	THREAD DETECTING PLATE	1	
1-51	10030007	MACHINE BODY RUBBER PLUG	1	
1-52	73310012	SIDE COVER	1	
1-53	71110022	RUBBER PLUG	2	
1-54	70380022	SCREW	1	
1-55	70312010	SCREW	2	
1-56	73310015	LEFT COVER	1	
1-57	71114000	BOBBIN WINDER ASM.	1	
1-58	71114001	BOBBIN WINDER SHAFT COMPL	1	
1-59	71114001	WASHER	2	
1-60	71114003	LATCH SPRING	1	

1. Machine Body & Machine Body Parts



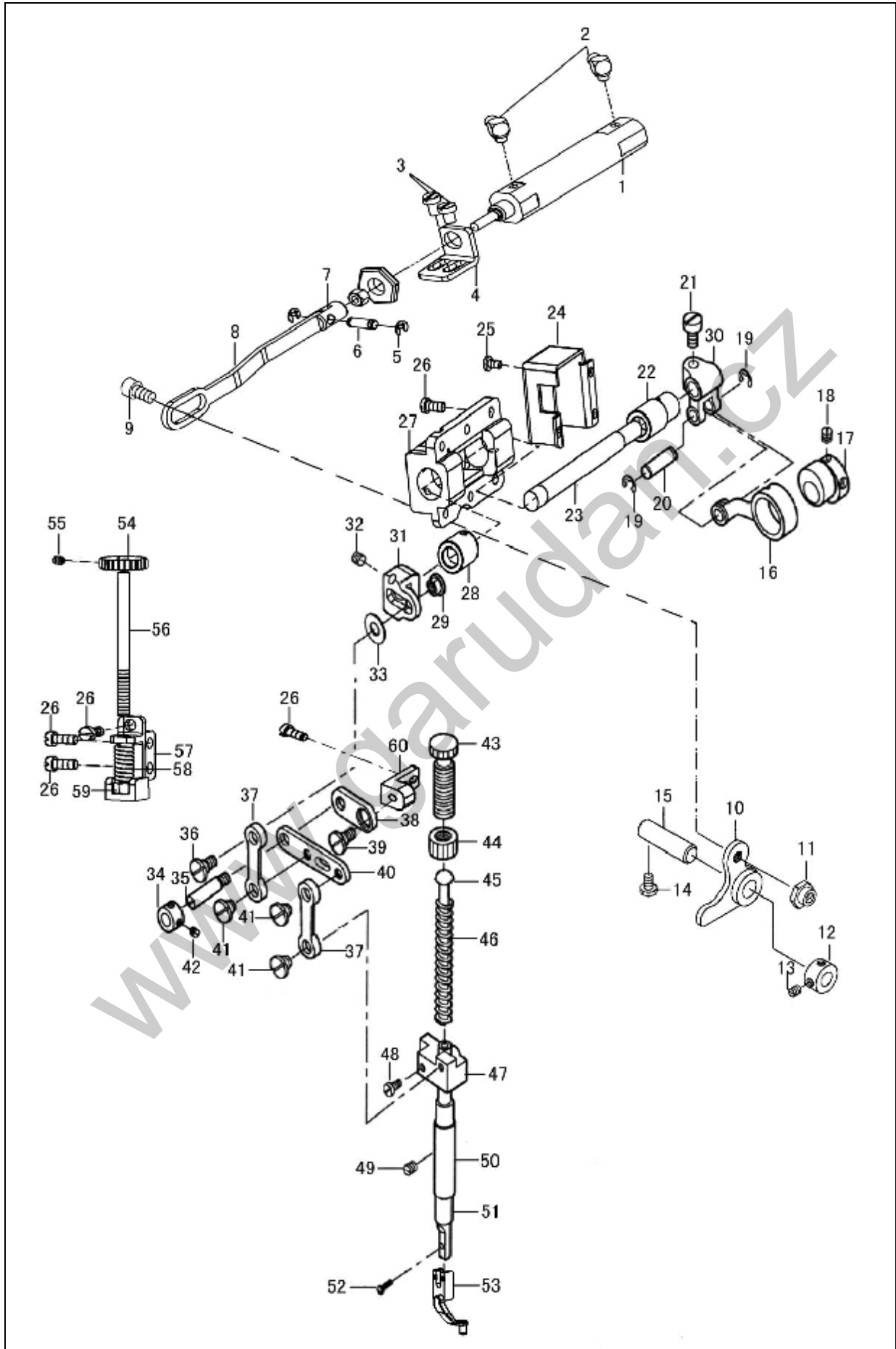
Ref.No	Parts No	NAME OF PARTS	Q'ty	Assembly No
1-61	71114004	BOBBIN FITING BASIS COMPL	1	
1-62	71114005	BOBBIN WINDER REGULATOR	1	
1-63	71114006	BOBBIN LEVER	1	
1-64	71114007	ADJUSTING PLATE	1	
1-65	71114008	RUBBER RING	1	
1-66	71114009	SPRING	1	
1-67	71114010	SPRING	1	
1-68	71114011	CUSHING	1	
1-69	71114012	RETAINING RING	1	
1-70	71114013	E-RING	1	
1-71	71114014	RUBBER RING	1	
1-72	71114015	SCREW	1	
1-73	71110043	SCREW	3	
1-74	71113000	BOBBIN THREAD TENSION ASM	1	
1-75	71113001	BOBBIN THREAD TENSION ROD ASM	1	
1-76	71113002	THREAD TENSION DISK	2	
1-77	71113003	CONNECTING ROD SPRIATE	1	
1-78	71113004	THREAD TENSION NUT	1	
1-79	71113005	NUT(11/64X40)	1	
1-80	73310016	RIGHT COVER	1	
1-81	73310017	SIDE COVER (INNER)	1	
1-82	70312010	SCREW	4	
1-87	73310024	BUTTON COVER	1	
1-88	70312010	SCREW	2	
1-92	711A0015	CABLE CLIP (MIDDLE)	3	
1-93	10210006	CABLE CLIP (BIG)	2	
1-94	70312010	SCREW (SM11/64X40 L=7)	5	
1-95	73310037	MODEL PLATE	1	G
	73310038		1	H
1-97	73310032	ARM	1	
1-98	73310036	BED	1	
1-102	72010004	RUBBER CAP	1	
1-103	10010010	BRAND MARK	1	
1-104	719B1066	LIGHT	1	
1-105	10010002	RIVET	6	
1-106	70310060	BRAND PLATE FOR COMPUTER BOX	1	
1-107	10010019	SERIAL NUMBER PLATE	1	
1-108	10010025	FAMOUS PLATE	1	
1-109	10010020	BRAND PLATE	1	
1-110	72010004	RUBBER PLUG	1	
1-111	73311003	COVER PLATE	1	

2. Upper Shaft Mechanism



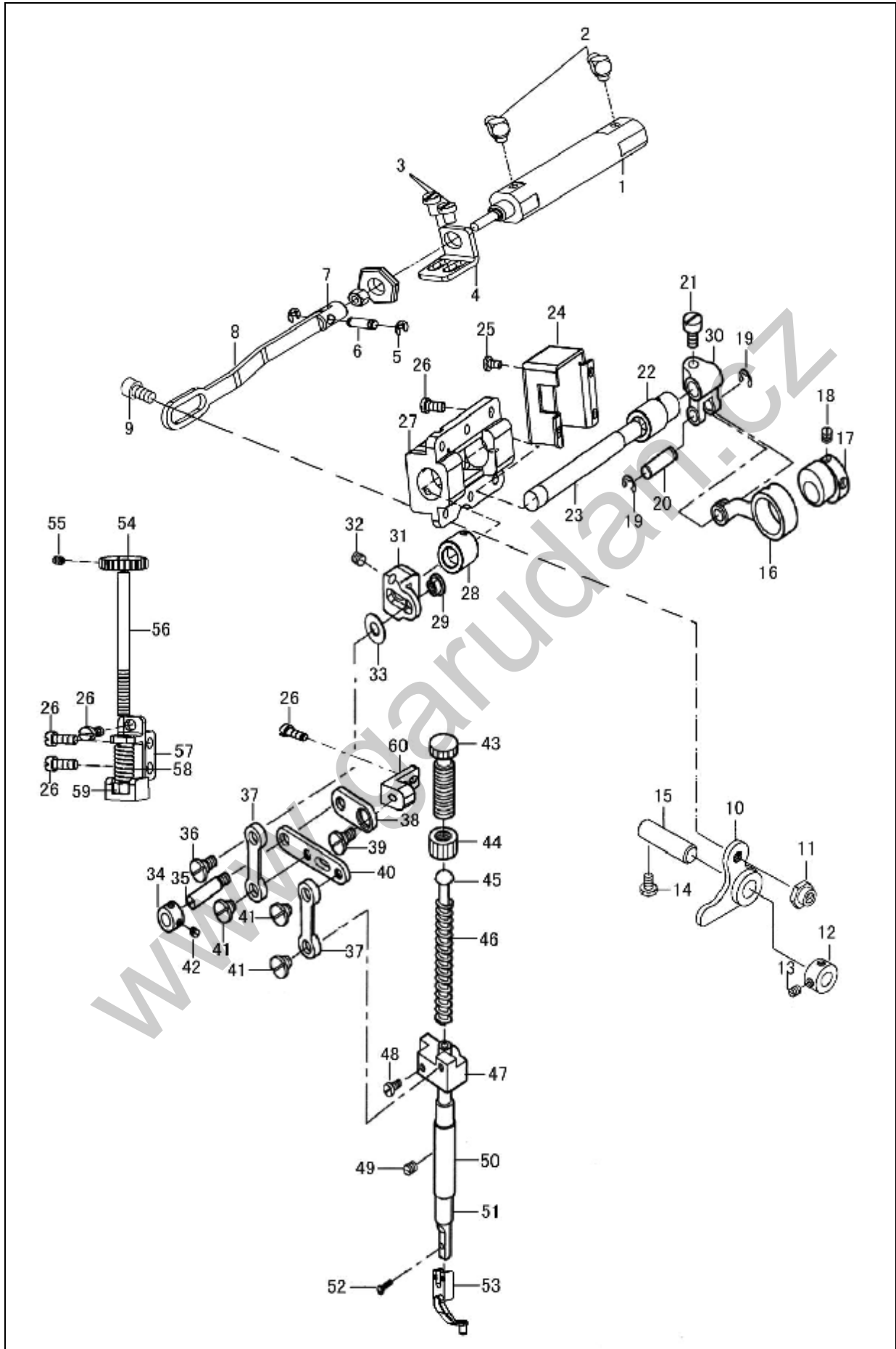
Ref. No.	Parts No	NAME OF PARTS	Q'ty	Assembly No
2-1		SERVICE MOTOR	1	
2-2	703A0041	SCREW (M5 L=15.5)	4	
2-3	26020016	SCREW (M6 L=12)	2	
2-4	71122002	RUBBER BLOCK	1	
2-5	71122000	COUPLING	1	
2-6	26020012	SCREW (M6 L=6)	2	
2-7	71120015	UPPER SHAFT REAR BEARING	1	
2-8	71120002	MAIN SHAFT	1	
2-9	70330035	SCREW (SM1/4"X40 L=6)	2	
2-10	71120014	THRUST COLLAR ASM.	1	
2-11	71120004	MAIN SHAFT BUSHING, MIDDLE	1	
2-12	15410002	NEEDLE 135X17	1	
2-14	70330009	THREAD GUIDE FOR NEEDLE BAR	1	
2-15	10030012	SCREW (SM2/8"X44 L=4.5)	1	
2-16	71120022	NEEDLE LOWER METAL	1	
2-17	71120020	NEEDLE BAR	1	
2-18	70330007	NEEDLE ROD METAL	1	
2-19	70360053	SCREW (SM11/64X40 L=6)	3	
2-20	10540028	SCREW SM15/64"X28 L=6)	1	
2-21	70331000	LINK BALANCE ASM.	1	
2-22	70331001	THREAD TAKE -UP LEVER	1	
2-23	70331002	LEFT SCREW	1	
2-24	70331003	BALANCE CRANK PIN	1	
2-25	70331004	NEEDLE BUSHING	1	
2-26	70331005	NEEDLE BAR CRANK	1	
2-27	70331006	NEEDLE DRIVING LEVER REARING	1	
2-28	70331007	NEEDLE BAR CRANK ROD	1	
2-29	70331008	NEEDLE ROD CRANK	1	
2-30	10331009	NEEDLE BAR CLAMP	1	
2-31	10030004	SCREW (SM9/64X40 L=6)	1	
2-32	71120012	SQUARE BLOCK	1	
2-33	70330002	BASE	1	
2-34	10540028	SCREW (SM15/64"X28 L=6)	1	
2-35	70330003	NEEDLE ROD CRANK WASHER	1	
2-36	10020016	SCREW (SM9/32"X28)	1	
2-37	70330032	SCREW (SM15/64"X28 L=14)	1	
2-38	70330032	SCREW (SM15/64"X28 L=14)	1	
2-39	71120003	MAIN SHAFT BUSHING, FRONT	1	
2-40	70330014	BOBBIN WINDER WHEEL	1	
2-41	26040030	SCREW (M5 L=10)	2	
2-42	711DJ001	SERVICE MOTOR TRANSITION	1	
2-43	703B0017	SCREW (SM11/64X40 L=16)	4	
2-44	70330015	HAND PULLEY GEAR A	1	
2-45	70360053	SCREW (SM11/64X40 L=6)	2	
2-46	70360053	SCREW (SM11/64X40 L=6)	2	
2-47	70330015	HAND PULLEY GEAR B	1	
2-48	71120018	SPRING	1	
2-49	71120006	HAND PULLEY SHAFT	1	
2-50	70340010	SPRING PIN	1	
2-51	70340001	PULLEY	1	
2-52	71120042	SCREW	1	
2-53	72220024	CRANK BALANCE FIX PLATE	1	
2-54	26010043	SCREW M5 L=14	2	
2-55	72220025	CRANK BALANCER	1	

3. Presser Foot Mechanism



Ref. No.	Parts No	NAME OF PARTS	Qty	Assembly No
3-1	720M0015	CYLINDER	1	
3-2	720E0006	CYLINDER KNUCKLE	2	
3-3	26090021	SCREW (M5X8)	2	
3-4	73340002	CYLINDER BASE	1	
3-5	703D0037	E-RING (GB/T896-1986 3.5)	2	
3-6	703D0023	CYLINDER SHAFT	1	
3-7	703D1006	HOSE UNION	1	
3-8	73340001	LINK	1	
3-9	71130039	SCREW 15/64-28 L=10.5	1	
3-10	73340022	LINK COMPL	1	
3-11	73340026	NUT	1	
3-12	71140015	THRUST COLLAR	1	
3-13	70360053	SCREW (SM11/64-40 L=6)	2	
3-14	70360053	SCREW (SM11/64-40 L=6)	1	
3-15	73340028	PIN 10X33	1	
3-16	70360022	PRESSER CAM CONNECTION ROD	1	
3-17	70360021	PRESSER CAM	1	
3-18	10020007	SCREW (1/4"X40 L=6)	2	
3-19	10040024	E-RING (GB/T896-1986 5)	2	
3-20	70360024	PRESSER CAM CONNECTION ROD PIN	1	
3-21	70330032	SCREW (15/64"X28 L=14)	1	
3-22	73341007	PRESSER SHAFT BUSHING (B)	1	
3-23	73341005	PRESSER SHAFT	1	
3-24	73341009	CAM COVER	1	
3-25	26010048	SCREW (M4X6)	3	
3-26	70360051	SCREW (SM11/64"X40 L=11.5)	11	
3-27	73341008	PRESSER SHAFT BUSHING BASE	1	
3-28	73341006	PRESSER SHAFT BUSHING (F)	1	
3-29	70360029	PRESSER ADJUSTING ARM NUT	1	
3-30	70360023	PRESSER FORK CRANK	1	
3-31	70360028	PRESSER ADJUSTING ARM	1	
3-32	10540028	SCREW (15/64"X28 L=6)	1	
3-33	70360002	WASHER	1	
3-34	73341010	COLLAR	1	
3-35	73341004	PRESSER LINK HINGE SCREW	1	
3-36	70360030	PRESSER ADJUSTING ARM HINGE SCREW	1	
3-37	70360031	PRESSER LINK	2	
3-38	70360036	POSITION LINK	1	
3-39	70360037	POSITION LINK HINGE SCREW	1	
3-40	70360033	PRESSER DRIVING LINK	1	
3-41	70360032	PRESSER LINK HINGE SCREW	3	
3-42	70360053	SCREW (SM11/64"X40 L=6)	1	
3-43	71960001	PRESSER ADJUSTING SCREW	1	
3-44	71930002	NUT FOR PRESSER ADJUSTING SCREW	1	
3-45	70360040	PRESSER ADJUSTING BAR	1	
3-46	70360041	PRESSER ADJUSTING SPRING	1	
3-47	70360043	PRESSER BAR HOLDER	1	
3-48	70360051	SCREW (11/64"X40 L=11.5)	1	
3-49	70360053	SCREW (11/64"X40 L=6)	1	
3-50	70360044	PRESSE BAR BUSHING	1	
3-51	70360042	PRESSE BAR	1	
3-52	70360056	SCREW (9/64"X40 L=10)	1	
3-53	73340036	PRESSER FOOT	1	
3-54	72660052	POSITION LINK ADJUSTING HAND PULLE	1	
3-55	26010055	SCREW (GB/T73-1985 M4X5)	1	
3-56	72660051	POSITION LINK ADJUSTING STICK	1	
3-57	73341003	POSITION LINK ADJUSTING BASE	1	

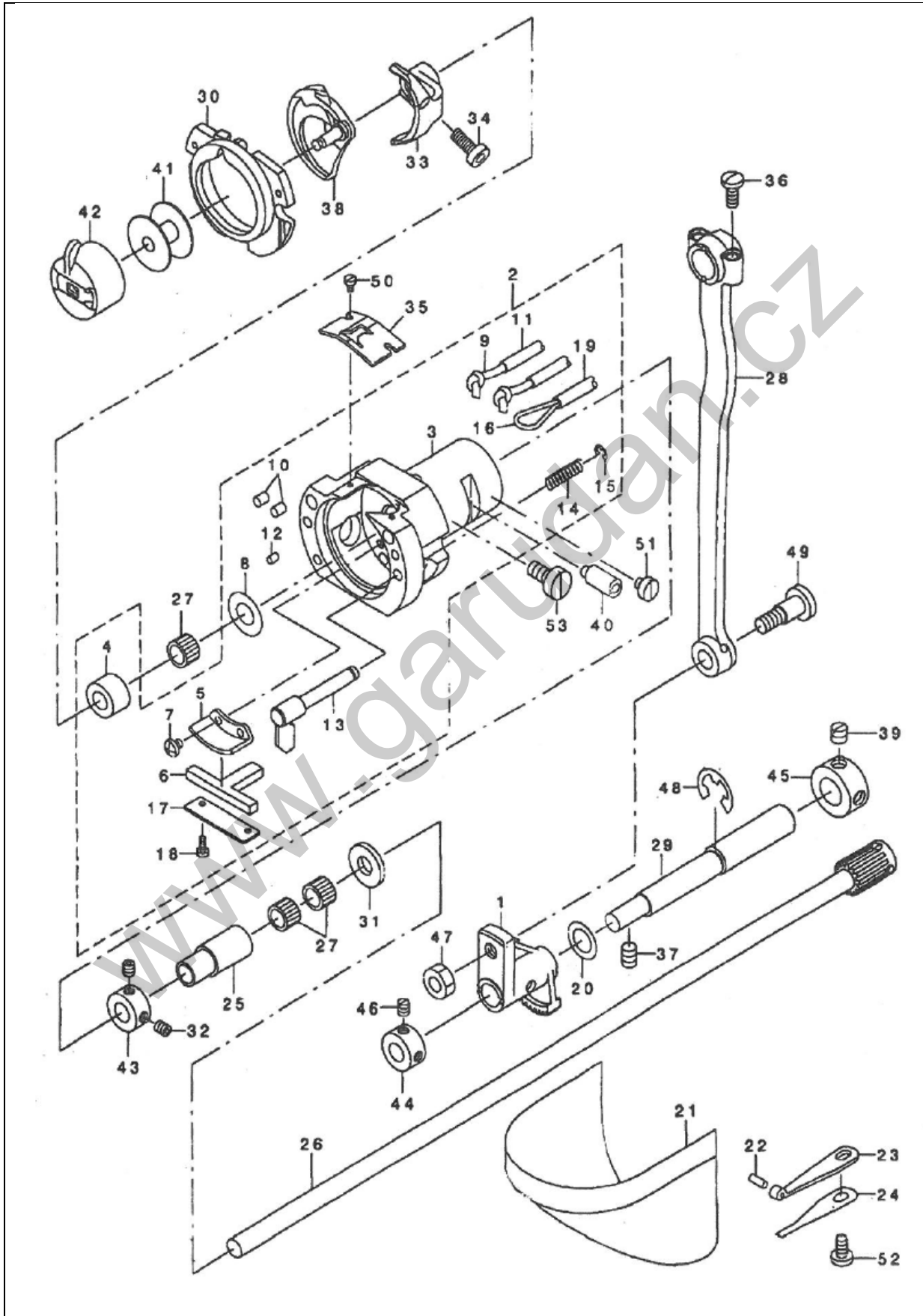
3. Presser Foot Mechanism



Ref. No.	Parts No	NAME OF PARTS	Q'ty	Assembly No
3-58	720E0003	POSITION LINK STOPPER SPRING	1	
3-59	201006100106	NUT (GB/T889.1-2000 M6)	1	
3-60	73341001	INSTALLING BASE	1	

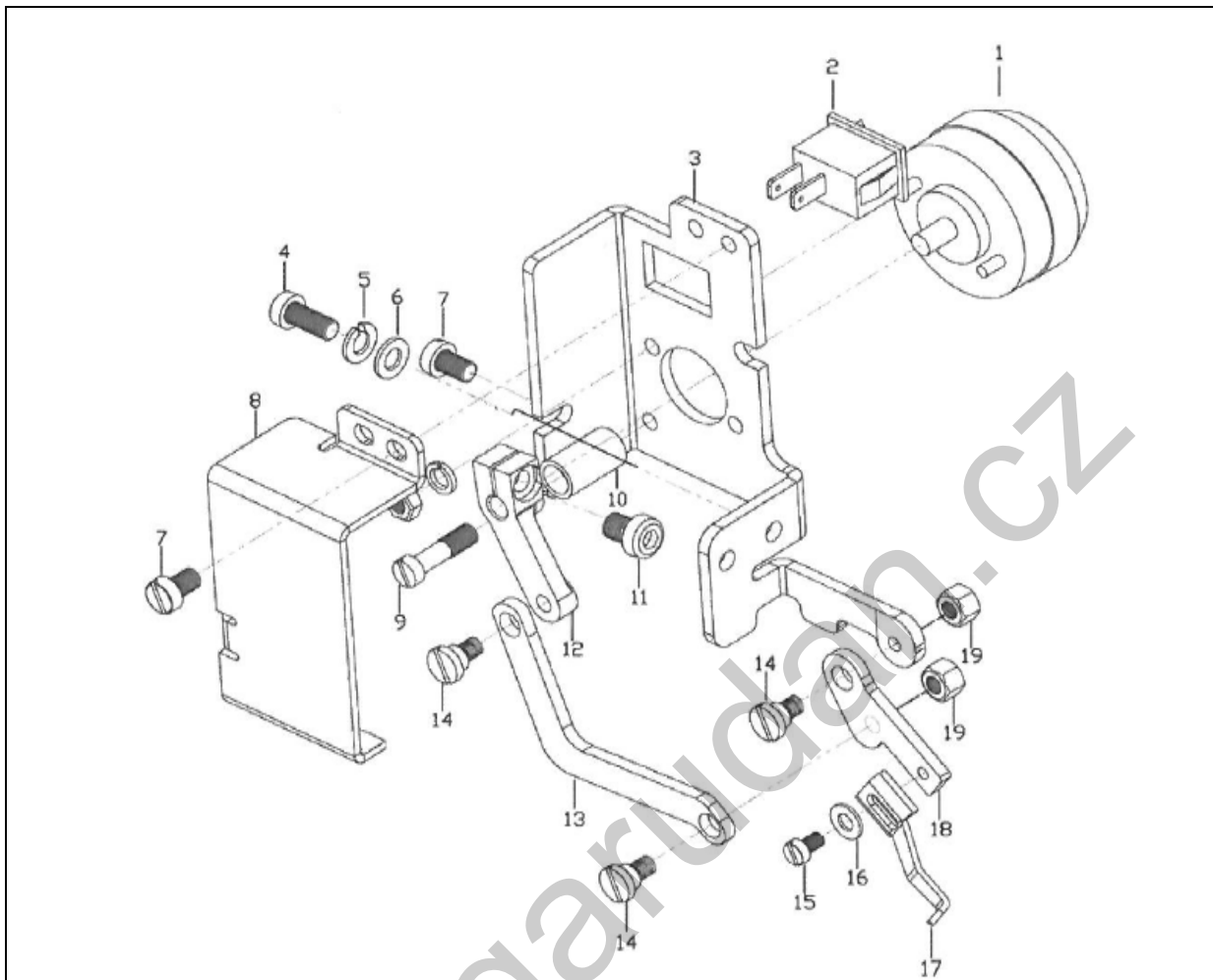
www.garudan.cz

4. Lower Shaft Mechanism



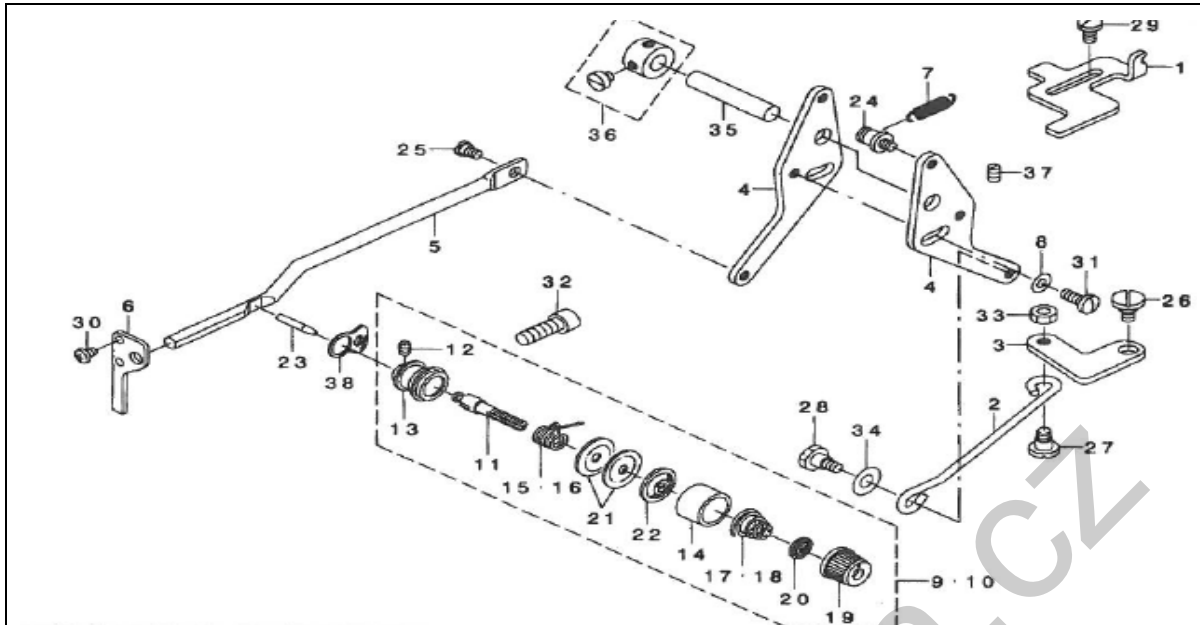
Ref.No	Parts No	NAME OF PARTS	Q'ty	Assembly No
4-1	70350010	OSCILLATOR	1	
4-3	70357001	SHUTTLE	1	
4-4	70356006	SHUTTLE NEEDLE OUTER RING	1	
4-5	703E0025	SHUTTLE LUBBICATING PLATE	1	
4-6	703E0026	SHUTTLE ONCE THROUGH OIL FELT	1	
4-7	703A0045	SCREW	2	
4-9	260D0007	OIL WICK	1	
4-11	26030022	VINYL PIPE	2	
4-13	70356100	INNER HOOK PRESSER ASM.	2	
4-14	70356005	INNER HOOK PRESSER SPRING	2	
4-15	70356103	E-RING	2	
4-16	260D0010	OIL WICK	1	
4-17	70356009	WASHER	1	
4-18	70356007	CYLINDER ARM CAP	2	
4-19	176C0059	OIL TUBE	1	
4-20	71140006	WASHER	1	
4-21	70354000	CYLINDER ARM CAP	1	
4-22	70350018	HOOK COVER PRESSER SPRING PIN	1	
4-23	70350016	HOOK COVER PRESSER SPRING	1	
4-24	70350017	HOOK COVER PRESSER SPRING	1	
4-25	70350001	LOWER SHAFT REAR METAL	1	
4-26	4261006	LOWER SHAFT GEAR A ASM.	1	
4-26-1	70351002	LOWER SHAFT GEAR	1	
4-26-2	70360053	SCREW	1	
4-26-3	70351005	PIN	1	
4-27	70350002	BEARING	2	
4-28	70350005	CRANK ROD	1	
4-29	71140010	OSCILLATING ECCENTRIC SHAFT	1	
4-30	70357002	SHUTTLE RACE RING ASM.	1	
4-31	71140011	LOWER SHAFT THRUST WASHER	1	
4-32	10530019	SCREW	2	
4-33	70357005	SHUTTLE DRIVER	1	
4-34		SCREW	1	
4-35	70356003	SHUTTIE UPPER SPRING	1	
4-36		SCREW	2	
4-37	10540028	SCREW	3	
4-38	70357003	INNER HOOK	1	
4-39	70330035	SCREW	2	
4-40	71140013	SHUTTLE RACE ADJUSTING SHAFT	1	
4-41	70357006	BOBBIN	1	
4-42	70357005	BOBBIN CASE ASM.	1	
4-43	71142001	THRUST COLLAR	1	
4-44	71140015	THRUST COLLAR	1	
4-45	71143001	THRUST COLLAR	1	
4-46	70360053	SCREW	2	
4-47	70350007	NUT(1/4"×40)	1	
4-48	10070012	E-RING	1	
4-49	70350006	HINGE SCREW	1	
4-50	70356004	SCREW	2	
4-51	10030017	SCREW	1	
4-52	703D0034	SCREW	1	
4-53	71140023	SCREW	1	

5. Wiper Mechanism



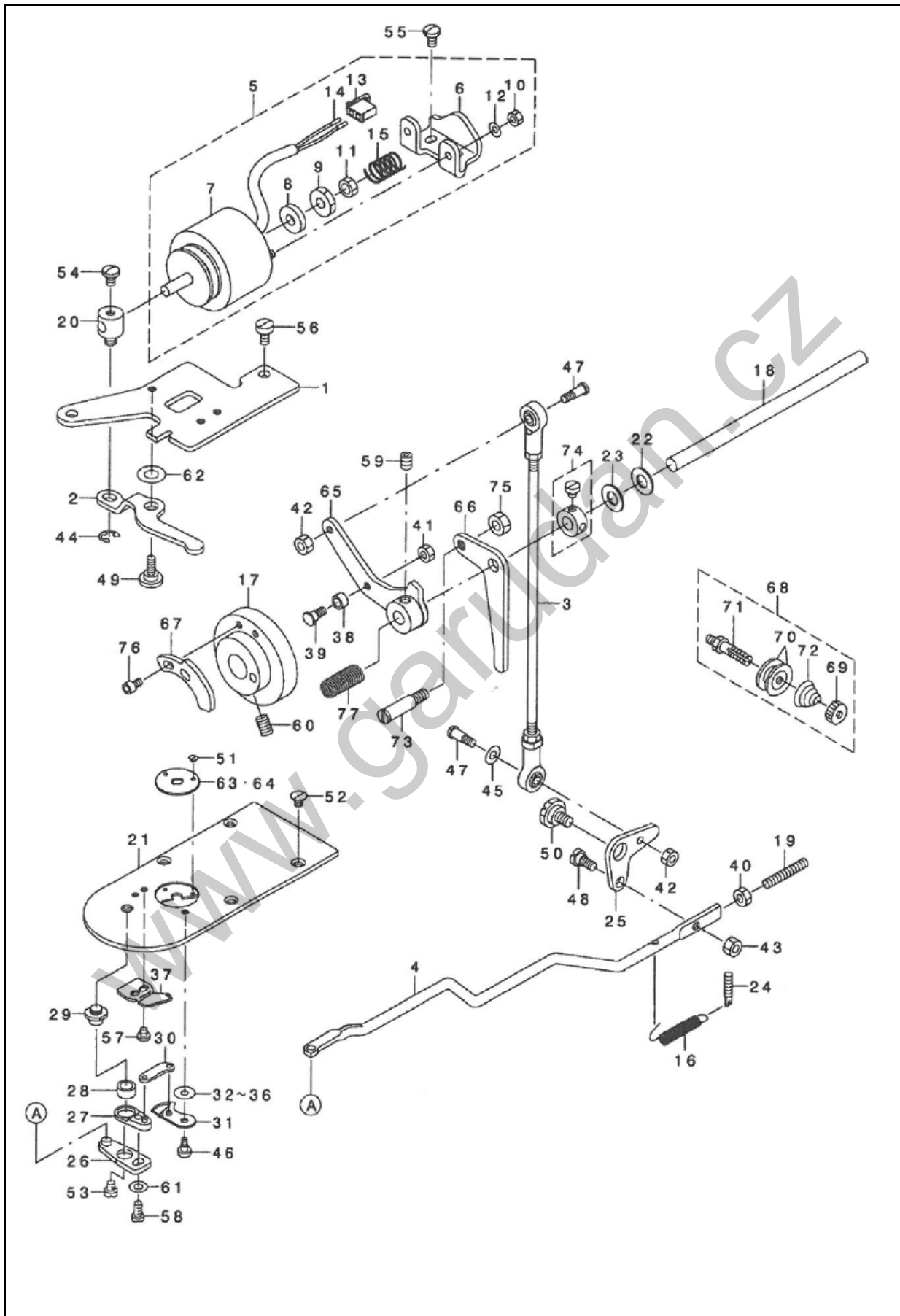
Ref.No	Parts No	NAME OF PARTS	Q'ty	Assembly No
5-1	73361008	ROTATE SOLENOID ASSY	1SET	
5-2	70391023	WIPER ON/OFF SWITCH ASSY	1	
5-3	73361003	SOLENOID STALLING BASE	1	
5-4	105A0017	SCREW (SM11/64X40 L=12)	2	
5-5	703A0049	SPRING WASHER (GR/T39-1985 4)	2	
5-6	71160019	WASHER (4.7X11.5X2)	2	
5-7	70312010	SCREW (SM11/64X40 L=7)	3	
5-8	73361004	SOLENOID PROTECT PLATE	1	
5-9	10210003	STOP SCREW (SM3/16X28 L=18.5)	1	
5-10	10210002	STOP RUBBER	1	
5-11	70320018	SCREW (M5 L=8)	1	
5-12	73361005	ADJUSTING ARM	1	
5-13	73361002	ROD	1	
5-14	70340007	HINGE SCREW (SM11/64X40 L=7.5)	3	
5-15	70380022	SCREW (SM9/64X40 L=9)	1	
5-16	70312011	WASHER (GB/T848-1985 4)	1	
5-17	73361001	WIPER PLATE	1	
5-18	73361006	CONNECT PLATE	1	
5-19	26410049	NUT (SM11/64X40)	2	
5-20	70230005	SPRING WASHER (4)	2	
5-21	70212006	NUT (M4)	2	

6. Thread Release & Thread Tension Mechanism



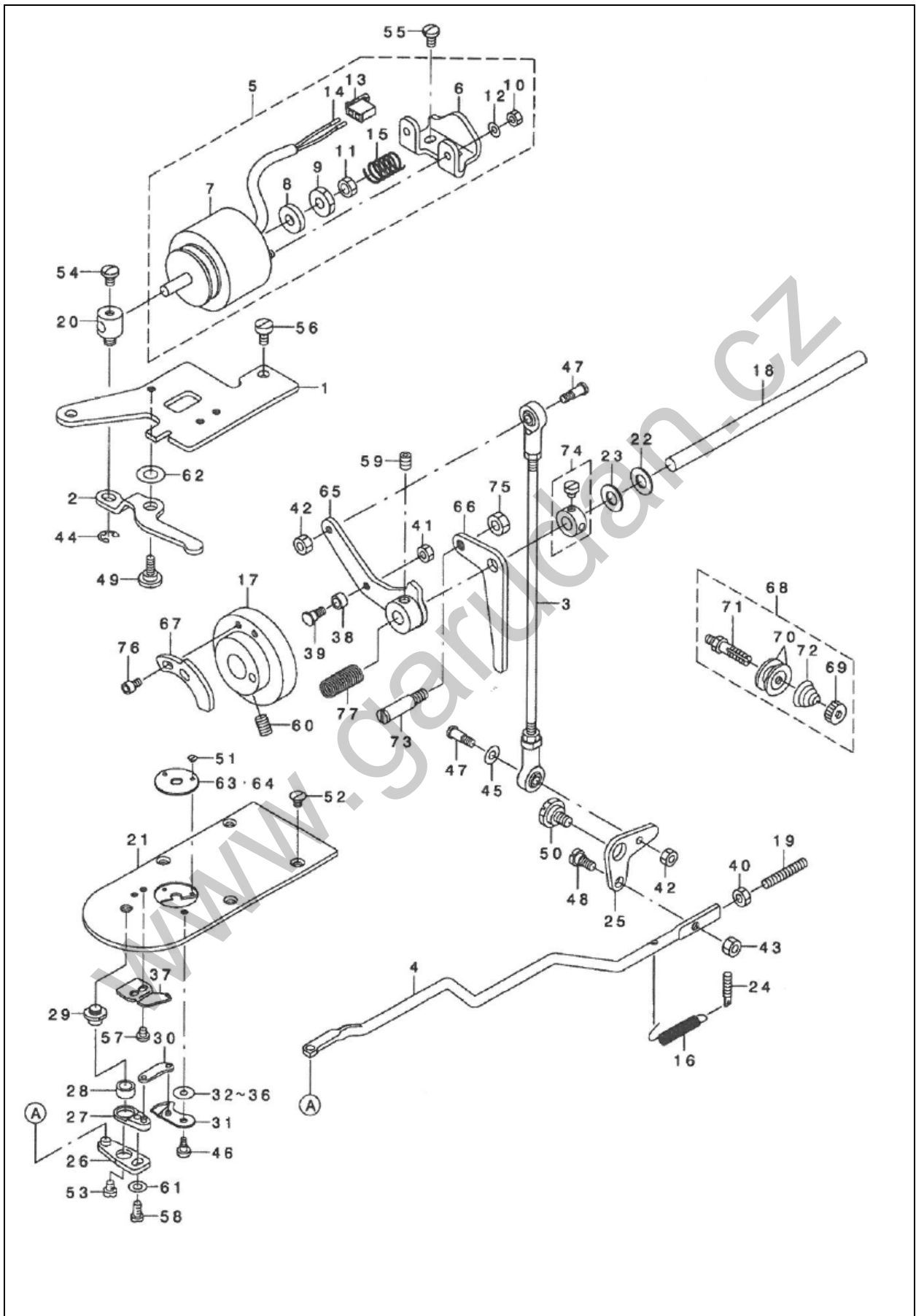
Ref.No	Parts No	NAME OF PARTS	Q'ty	Assembly No
6-1	71160001	SPTOPPER	1	
6-2	71160002	CONNECTING BAR	1	
6-3	71160003	TENSION RELEASE LINK	1	
6-4	71160004	TENSION RELEASE ADJUSTING ARM	2	
6-5	71160005	TENSION RELEASE BAR	1	
6-6	71160006	THREAD TENSION ARM	1	
6-7	71160007	PRESSURE SPPING	1	
6-8	71160019	WASHER(4.8X11.5X2)	1	
6-9	70381000	SECOND THREAD TENSION ASM	1SET	
6-11	70381002	Thread Tension Adjusting Shaft	1	
6-12	70381003	Screw(9/64"×40)	2	
6-13	70381001	Thread Tension Adjusting Body	1	
6-14	70381008	Spring Cover	1	
6-15	70381004	Thread Take-Up Spring(H)	1	
6-17	70381009	Thread Tension Adjusting Spring(H)	1	
6-19	70381012	Thread Adjusting Nut	1	
6-20	70381011	Spring Stopper	2	
6-21	70381006	Thread Guide Disk	4	
6-22	70381007	Presser Plate For H7	1	
6-23	70381013	Thread Release Pin	1	
6-24	71160008	SUSPENSION SCREW	1	
6-25	71160009	HINGE SCREW(D=5.3 H=2.2)	1	
6-26	71160010	HINGE SCREW	1	
6-27	71160011	HINGE SCREW(D=6.35 H=3.9)	1	
6-28	71160012	HINGE SCREW(D=6.35 H=4.8)	1	
6-29	71160013	SCREW(SM11/64X40 L=8)	2	
6-30	71160014	SCREW(SM9/64X40 L=5)	2	
6-31	71160015	SCREW(SM11/64X40 L=9.5)	1	
6-32	71160016	SCREW(SM15/64X28 L=6)	1	
6-33	71160017	NUT(SM3/16X28)	1	
6-34	71160018	WASHER(6.5X11X1)	1	
6-35	71110010	LINKING ROLLER	1	
6-36	71130022	E-RING	1	
6-36-1	70360053	SCREW	2	
6-37	70360053	SCREW	1	
6-38	70380018	Thread Detecting Plate Guide	1	

7. Thread Trimming Mechanism



Ref.No	Parts No	NAME OF PARTS	Q'ty	Assembly No
7-1	71170001	CAM FOLLOWER STOPPER	1	
7-2	71170002	SOLENOID ARM	1	
7-3	71171001	CONNECTING ROD	1	
7-4	71170003	CONNECTING BAR	1	
7-5	71172000	SOLENOID FOR THREAD TRIMMING ASM	1	
7-6	71172001	SOLENOID INSTALLING BASE	1	
7-7	71172002	SOLENOID FOR THREAD TRIMMING	1	
7-8	71172003	SOLENOID RUBBER	1	
7-9	71172004	NUT	1	
7-10	71172005	NUT(M4)	2	
7-11	71140017	NUTSM(1/4X40)	1	
7-12	71172007	WASHER(4.5X8X0.5)	2	
7-13	71172008	2-POLE NYLON PLUG	1	
7-14	71172009	PIN CONTACT	2	
7-15	71172010	SPRING	1	
7-16	71170004	THREAD TRIM LINK SPRING	1	
7-17	71170005	THREAD TRIMMER CAM	1	
7-18	71170006	THERAD TRIMMER SHAFT	1	
7-19	71170017	SCREW	1	
7-20	71170012	SOLENOID PIN	1	
7-21	73380001	NEEDLE PLATE	1	
7-22	71170018	NEEDLE ROD CRANK WASHER A	1	
7-23	71170019	NEEDLE ROD CRANK WASHER B	1	
7-24	71170020	TENSIOD SPRING ADJUSTING SCWER	1	
7-25	71170007	THREAD TRIMMER LINK	1	
7-30	J4401507	SCREW	2	
7-31	J4501507	MOVING KNIFE	1	
7-37	J4301507	FIXED KNIFE	1	
7-38	71170008	ROLLER	1	
7-39	71170021	ROLLER SHAFT	1	
7-40	70370036	NUT	1	
7-41	70312008	NUT	1	
7-42	70312008	NUT	2	
7-43	70370034	NUT	1	
7-44	10040024	E-RING	1	
7-45	71170027	WASHER	1	
7-47	703A0015	HINGE SCREW	1	
7-48	703A0019	HINGE SCREW	1	
7-49	71170015	HINGE SCREW	1	
7-50	703A0017	HINGE SCREW	1	
7-51	J4201507	SCREW	2	
7-52	71170028	SCREW	4	
7-54	703D0034	SCREW	1	
7-55	703D0034	SCREW	2	
7-56	70360051	SCREW	2	
7-59	10540028	SCREW	1	
7-60	70330035	SCREW	2	
7-62	71170034	WASHER	1	
7-63	J4001507	NEEDLE PLATE COVER (hole for needle 2mm)	1	
7-64	J40111507	NEEDLE PLATE COVER (hole for needle 2.8mm)	1	option
7-65	71170012	CAM FOLLOWER ASM	1	
7-66	71170009	THREAD RELEASE ARM	1	
7-67	71170010	TENSION RELEASE NOTCH	1	
7-68	71174000	FIRST THREAD TENSION ASM	1	
7-69	71174001	TENSION NUT	1	
7-70	71174002	THRAD TENSION DISK	2	
7-71	71174003	THRAD TENSION ROD	1	
7-72	71174004	FIRST THREAD TENSION SPRING	1	

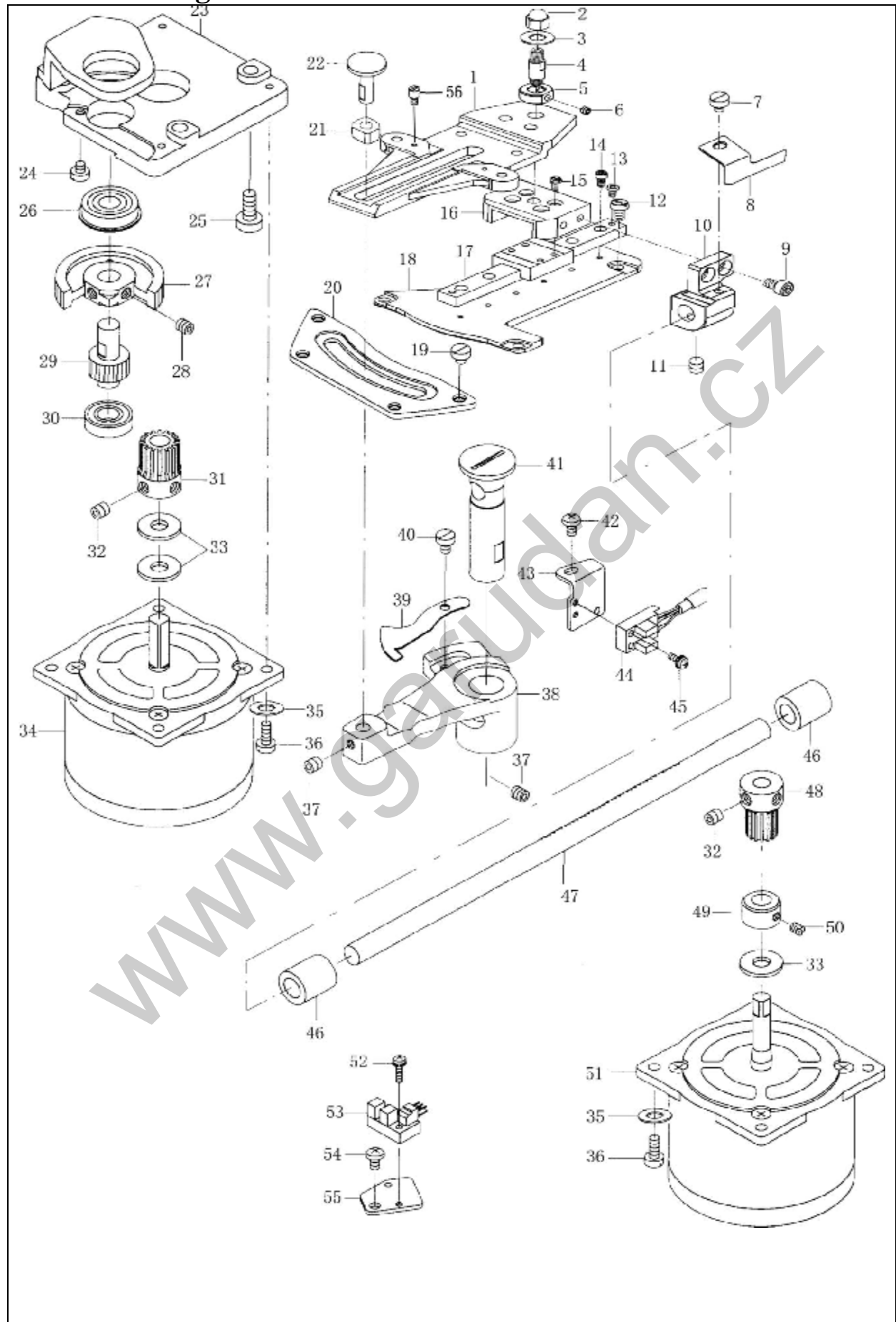
7. Thread Trimming Mechanism



Ref.No	Parts No	NAME OF PARTS	Q'ty	Assembly No
7-73	J2301507	TENSION RELEASE ARM PIN	1	
7-74	71175001	THRUST COLLAR ASM.	1	
7-74-1	70360053	THRUST COLLAR ASM.	1	
7-75	703A0043	NUT (SM15/64X28)	1	
7-76	703A0042	SCREW (M4 L=6)	2	
7-77	71170011	TAIPPING LEVER TENSION SPRING	1	
7-78	703A2002	TIE-IN ASM.	2	

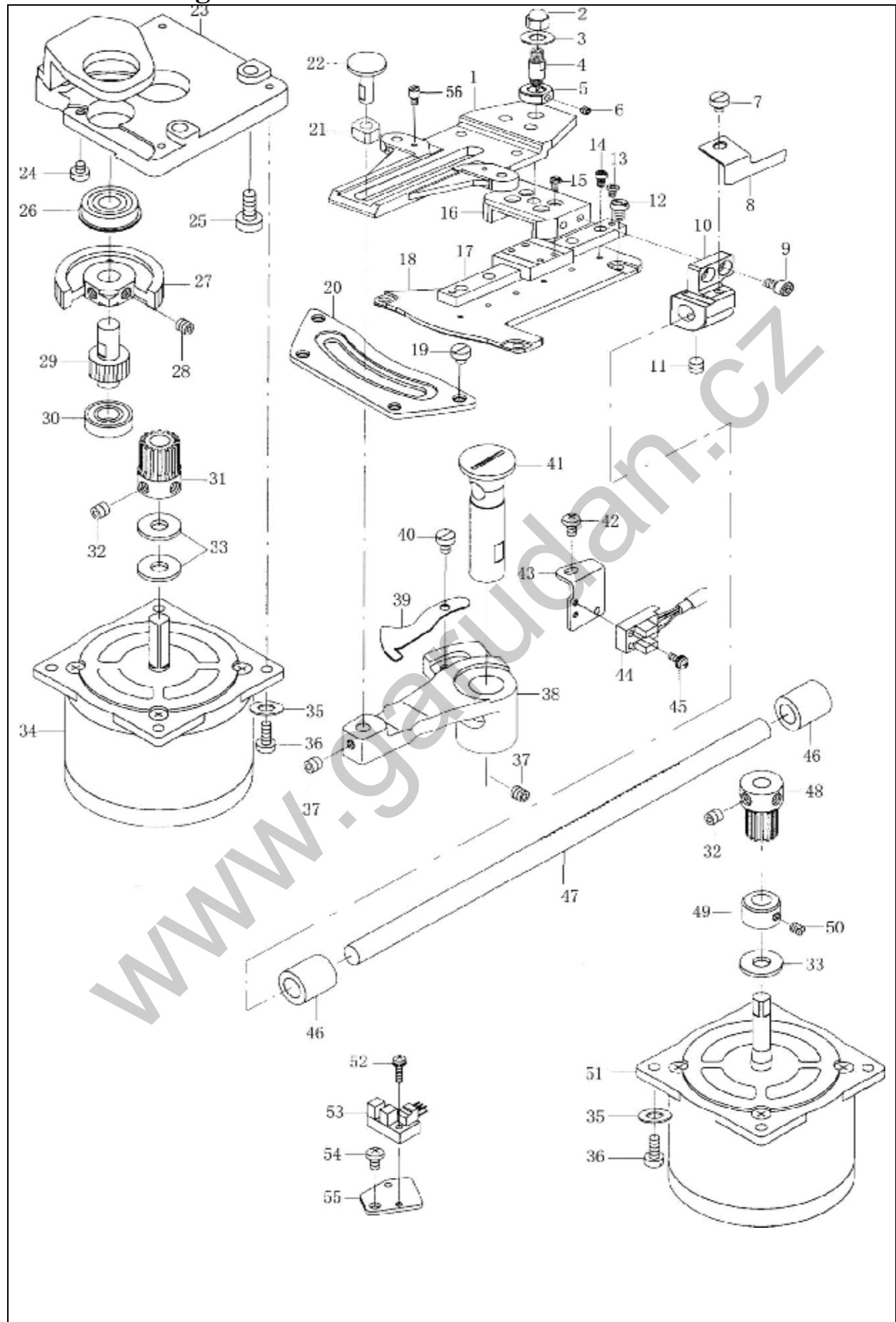
www.garudan.cz

8. X-Y Moving Mechanism



Ref.No	Parts No	NAME OF PARTS	Q'ty	Assembly No
8-1	73391001	FEED PLATE	1	
8-2	73391009	NUT (M6)	1	
8-3	70370033	WASHER	1	
8-4	73391008	Y-SHAFT OF FEEDING ARM	1	
8-5	73391005	Y-SCREW SHAFT COLLAR	1	
8-6	73390036	SCREW (M4)	2	
8-7	10030017	SCREW (11/64X40 L=4.3.)	1	
8-8	73391007	Y-SENSOR PLATE OF FEEDING ARM	1	
8-9	26080017	SCREW (M5X14)	2	
8-10	73391006	Y-FEEDING ARM	1	
8-11	70330035	SCREW (SM1/4X40 L=6)	2	
8-12	10130002	SCREW (SM11/64X40 L=6)	3	
8-13	72030021	SCREW (M3 L=5)	2	
8-14	703B4015	SCREW (M3 L=6)	6	
8-15	26010060	SCREW (M3 L=5)	4	
8-16	73391004	Y-MOVING PLATE	1	
8-17	73391003	Y-SLIDE GUIDE	1	
8-18	73391002	FEEDING BRACKET	1	
8-19	71170028	SCREW (SM11/64X40 L=5.5)	4	
8-20	73690045	SLIPPER BRACKET	1	
8-21	8181006	SQUARE BLOCK	1	
8-22	8191006	SIDE BLOCK STUD	1	
8-23	73390017	MOTOR BASE	1	
8-24	10030017	SCREW (11/64X40 L=4.3)	1	
8-25	26060035	SCREW M6 L=18	3	
8-26	72230001	BEAR (BIG)	1	
8-27	73390019	X-DRIVER GEAR (BIG)	1	
8-28	73390050	SCREW (M6 L=6)	2	
8-29	73390020	X-DRIVER GEAR (SMALL)	1	
8-30	73390021	BEAR (SMALL)	1	
8-31	71180002N	CROSSFED GEAR	1	
8-32	26020012	SCREW (M6 L=6)	4	
8-33	71180015	RUBBER WASHER	3	
8-34	71180006	X-STEP MOTOR	1	
8-35	71160019	WASHER	8	
8-36	73380002	SCREW (SM11/64-40 L=20)	8	
8-37	73390050	SCREW M6 L=6	3	
8-38	73690001N	X-DIRECTION FEEDING ARM	1	
8-39	73390007	X-SENSOR PLATE	1	
8-40	10130002	SCREW (SM11/64X40 L=6)	1	
8-41	8171006	CROSSFEE FULCRUM SHAFT	1	
8-42	703D0034	SCREW (SM11/64-40 L=7)	1	
8-43	73390008	X-SENSOR BASE	1	
8-44	703B4024	PHOTO SENSOR	1	
8-45	71120038	SCREW (M4 L=12)	1	
8-46	71180017	BUSHING	1	
8-47	73390003	Y-DRIVING SHAFT	2	
8-48	71180005N	Y-MOTOR GEAR	1	
8-49	71180024	Y-MOTOR COLLAR	1	
8-50	26020012	SCREW (M6 L=6)	1	
8-51	71180007	Y-STEP MOTOR	2	
8-52	71130031	SCREW (M3 L=10)	1	
8-53	703B4024	PHOTO SENSOR	1	

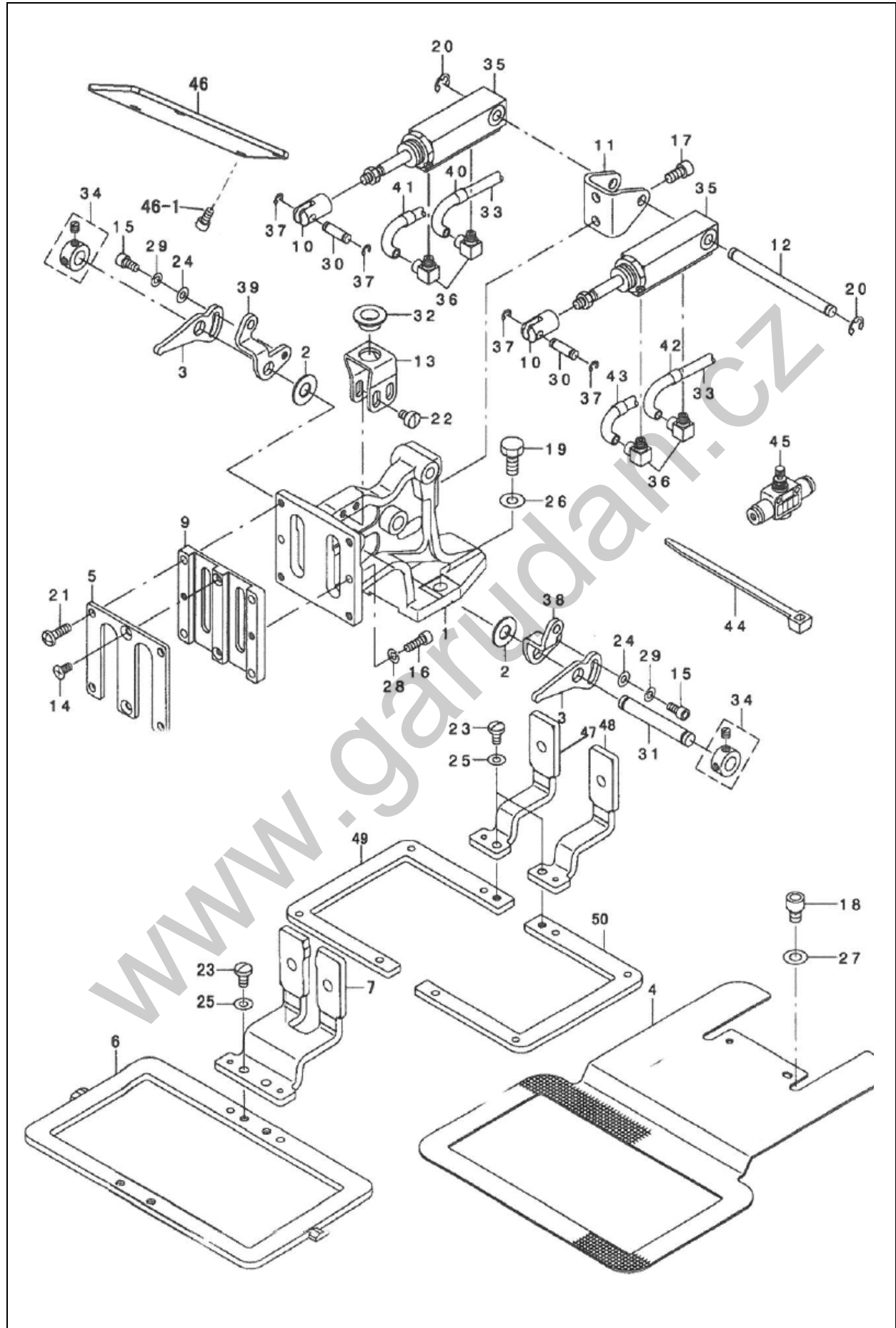
8. X-Y Moving Mechanism



Ref.No	Parts No	NAME OF PARTS	Q'ty	Assembly No
8-54	703D0034	SCREW (SM11/64-40 L=7)	1	
8-55	71180011	Y-SENSOR OF INSTALLING BASE	1	
8-56	73390024	SCREW	2	

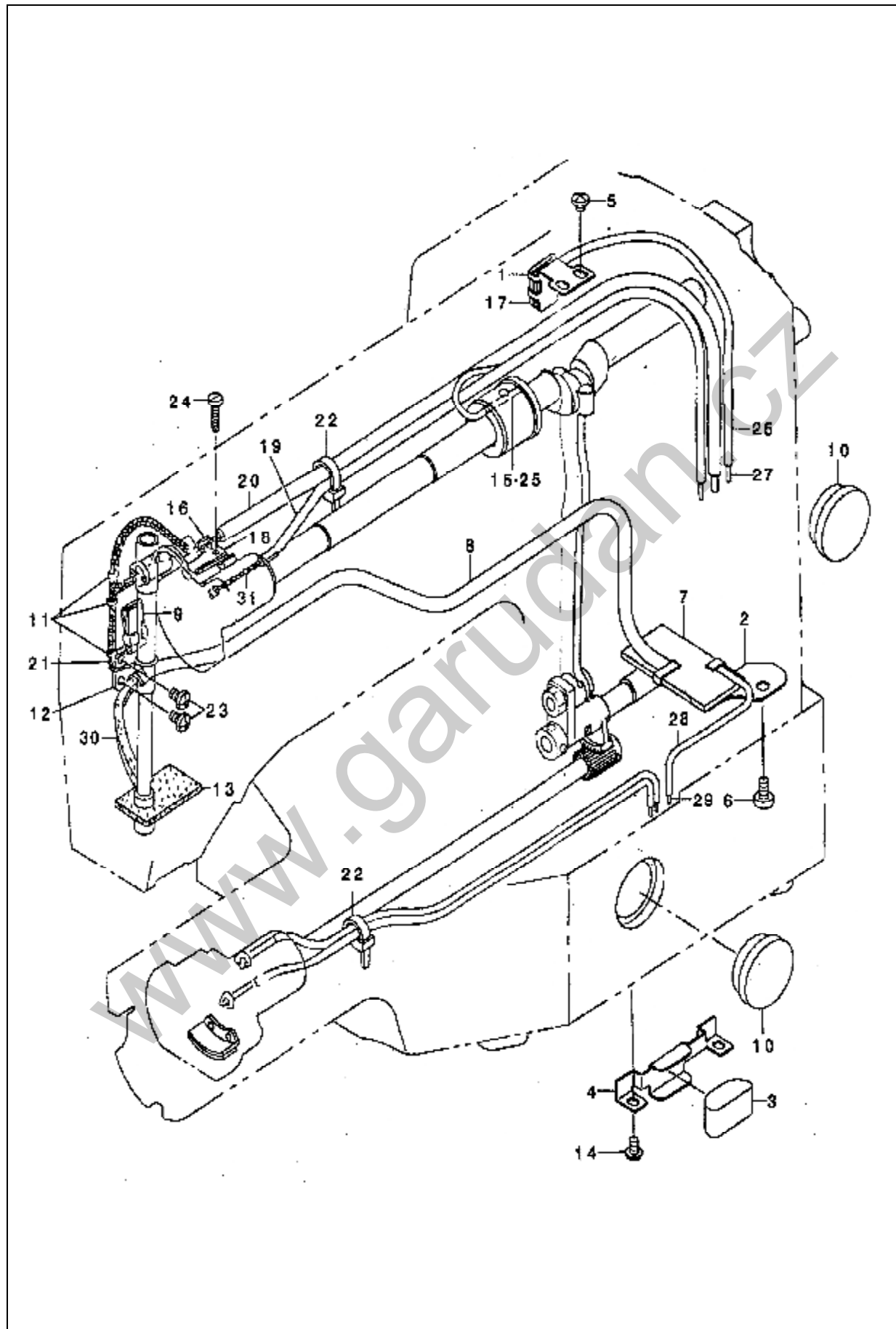
www.garudan.cz

9. Feed Mechanism



Ref.No	Parts No	NAME OF PARTS	Q'ty	Assembly No
9-1	733A0001	FEEDING BRACKET	1	
9-2	703D0021	WASHER	2	
9-3	733B0003	LIFTING LEVER	2	
9-4	733A0011	LOWER FEEDING PLATE	1	
9-5	733B0005	FEED PLATE CLAMP COVER	1	
9-6	733A0004	PRESSING MATERIAL PLATE	1	
9-7	733B0007	FEED PLATE CLAMP	1	
9-9	733B0009	FEED PLATE CLAMP BLOCK	1	
9-10	703D1006	CYLINDER KNUCKLE	2	
9-11	703D1003	CYLINDER BASE	1	
9-12	703D1004	CYLINDER SHAFT	1	
9-13	733B0013	SLIDER BASE	2	
9-14	26010045	SCREW (M4X0.7 L=8)	2	
9-15	703A0042	SCREW (M4X0.7 L=8)	2	
9-16	26030026	SCREW (M4X0.7 L=12)	2	
9-17	26080017	SCREW (M5X14)	2	
9-18	26030030	SCREW (MX6X1 L=10)	2	
9-19	703D0033	SCREW (M6X1 L=15)	2	
9-20	10040024	(GB/T896-1986 5)	2	
9-21	703B0017	SCREW (SM11/64X40 L=16)	2	
9-22	10030017	SCREW	4	
9-23	720B0017	SCREW (SM11/64X40 L=8)	4	
9-24	70330030	WASHER (GB/T848-1985 5)	2	
9-26	70370033	WASHER (GB/T848-1985 6)	2	
9-27	70370033	WASHER (GB/T848-1985 6)	2	
9-28	70330030	WASHER (GB/T848-1985 5)	2	
9-30	703D0023	CONNECTING LINK SHAFT	2	
9-31	703D0020	LIFTING LEVER SHAFT	1	
9-32	9321006	SLIDER	1	
9-34	703D0024	WASHE	2	
9-34-1	70360053	SCREW	4	
9-35	703D1002	CYLINDER	2	
9-36	720E0006	CYLINDER CONNECTOR	1	
9-37	703D0037	(GB/T896-1986 3.5)	4	
9-38	733B0038	LINK B	1	
9-39	733B0039	LINK A	1	
9-46	733B0046	SUPPORT PLATE	1	
9-47	733C0004	FEED PLATE CLAMP (LEFT)	1	
9-48	733C0005	FEED CLAMP (RIGHT)	1	
9-49	733C0001	UPPER FEED PLATE (LEFT)	1	
9-50	733C0002	UPPER FEED PLATE (RIGHT)	1	

11. Lubrication Mechanism



Ref.No		Parts No	NAME OF PARTS	Q'ty	Assembly No
11-1		71190001	OIL SHIELD	1	
11-2		71190002	OIL SHIELD	1	
11-3		71190003	OIL FELT	1	
11-4		71190004	FELT PRESSER	1	
11-5		703D0034	SCREW	2	
11-6		703D0034	SCREW	1	
11-7		71190005	OIL FELT	1	
11-8		71190006	ONCE THROUGH OIL FELT	1	
11-9		71190007	OIL SPONGE	1	
11-10		703E0028	OIL GAUGE	2	
11-11		71190008	OIL WICK PRESSER	3	
11-12		71190009	OIL WICK PRESSER	1	
11-13		71190010	SCREW	2	
11-14		703D0034	SCREW	2	
11-15		71190011	OIL WICK	1	
11-16		71190012	BALANCE LLUBRICATING PLATE	1	
11-17		71190013	NEEDLE ROD CRANK LUBRICATIN	1	
11-18		71190014	BALANCE LLUBRICATING	1	
11-19		71190015	VINYL TUBE	1	
11-20		71190016	VINYL PIPE	1	
11-21		71190017	OIL WICK	1	
11-22		02001401	CABLE BAND	4	
11-23		703D0034	SCREW	2	
11-24		703E0031	SCREW	1	
11-25		71190019	OIL WICK	1	
11-26		71190020	VINYL TUBE	1	
11-27		71190021	OIL WICK	1	
11-28		71190022	VINYL TUBE	1	
11-29		71190023	OIL WICK	1	
11-30		71190024	OIL FELT	1	
11-31		71190025	OIL WICK	1	

11.1 Additional Lubrication Mechanism

Additional lubrication of main shaft – VERY IMPORTANT

(11-32)



Additional lubrication wick of X-Y MOVING MECHANISM – VERY IMPORTANT

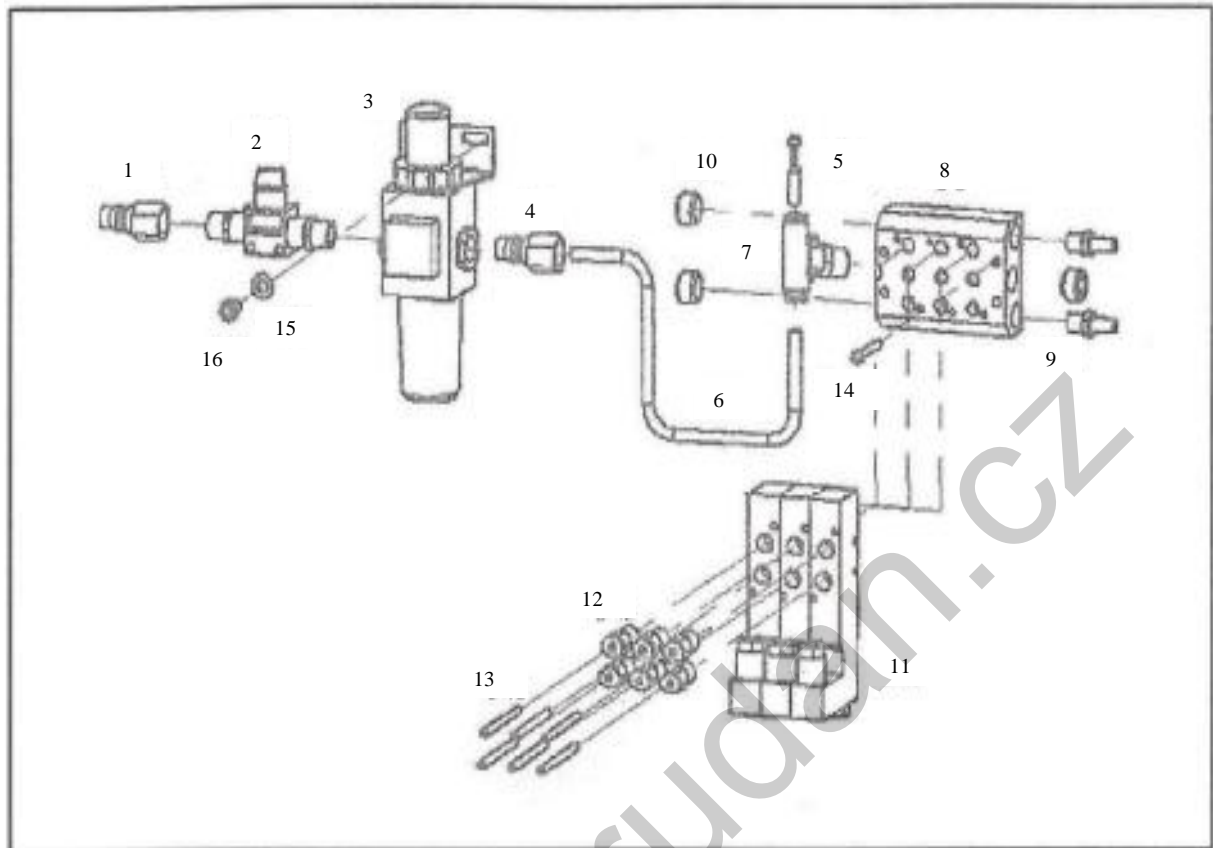
(11-33)



11-32		11321006	OIL WICK ASSY	1	
11-33		11331006	OIL WICK	1	

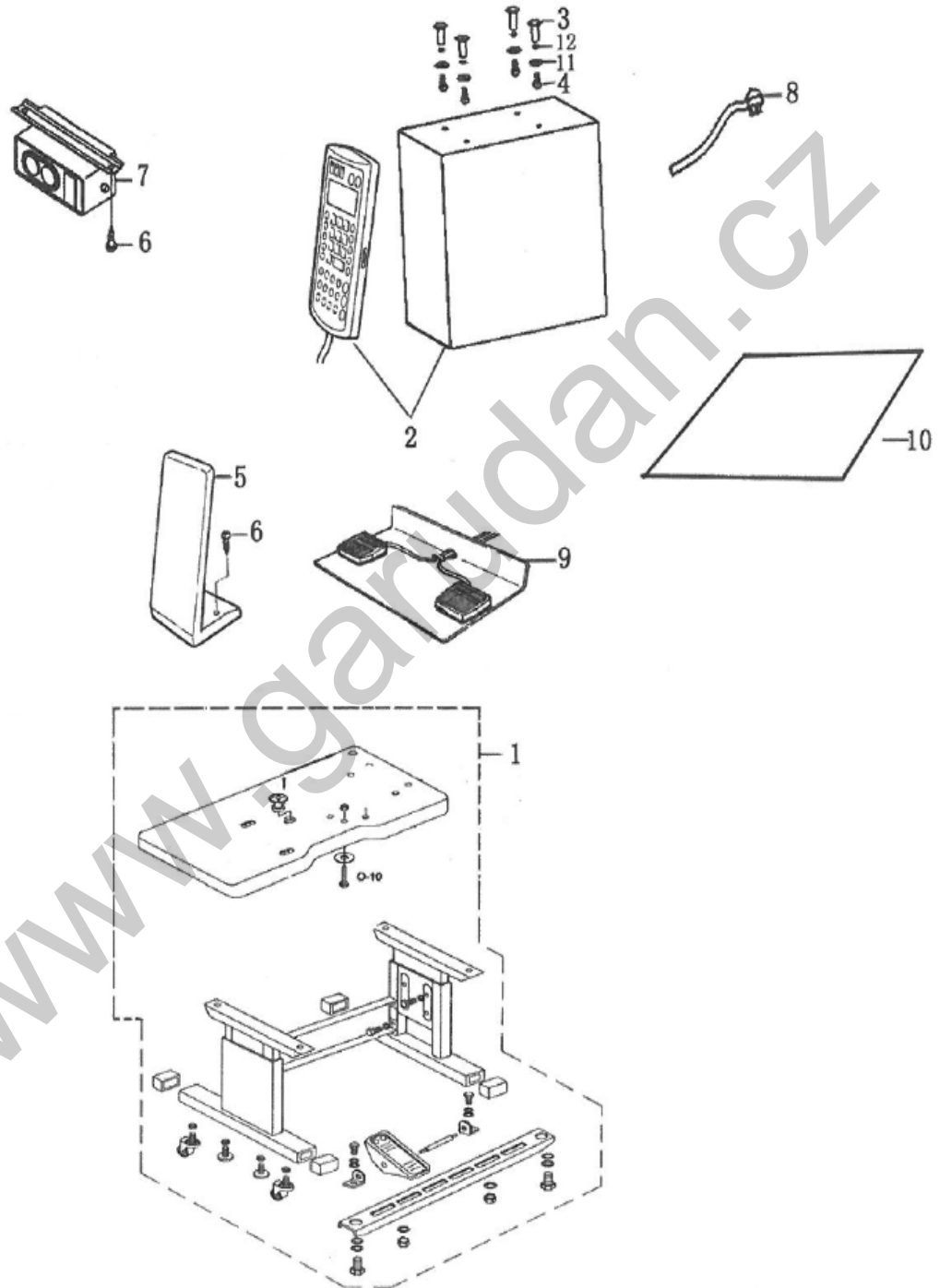
www.garudan.cz

12. Air Control Mechanism



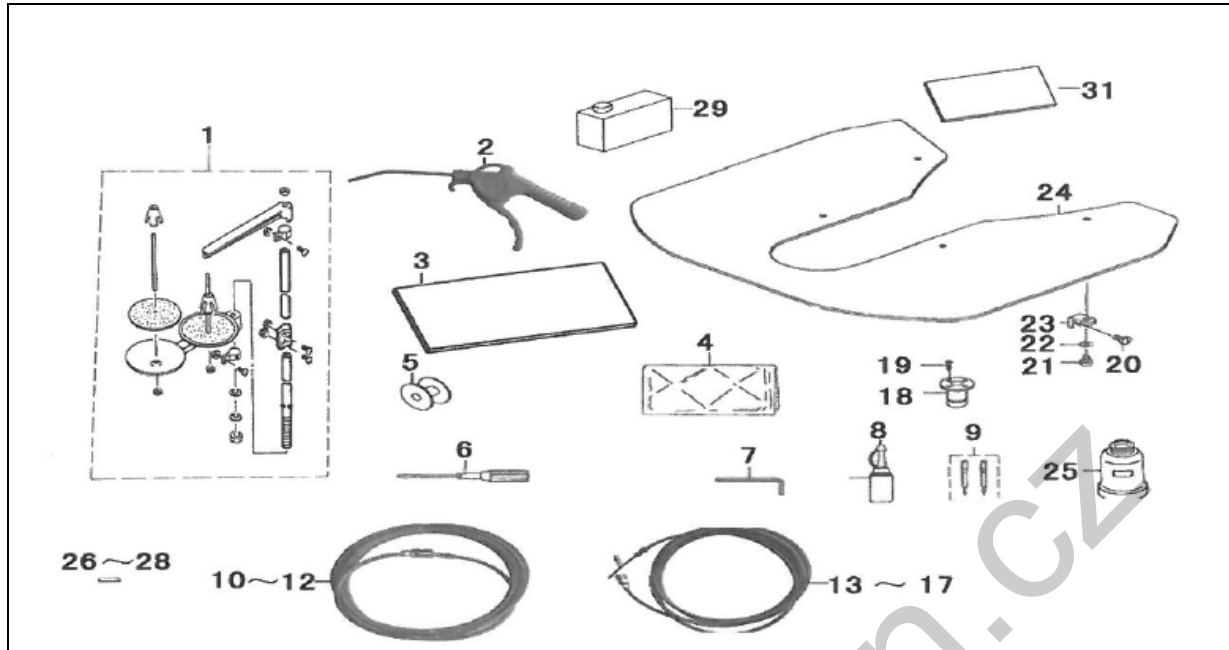
Ref.No	Parts No	NAME OF PARTS	Q'ty	Assembly No
12-1	U0101507	Clutch	1	
12-2	U0201507	Finger Valve	1	
12-3	U0301507	Filter Regulator	1	
12-4	U0401507	Clutch	1	
12-5	U0501507	Plug	1	
12-6	U0601507	Hose 8mm	0.3m	
12-7	U0701507	Clutch	1	
12-8	U0801507	Plate 3	1	
12-9	U0901507	Solenoid	2	
12-10	U1001507	Plug	3	
12-11	U1101507	Magnetic Valve	3	
12-12	U1201507	Clutch	6	
12-13	U1301507	Hose 4mm	10m	
12-14	U1401507	Screw	2	
12-15	U1501507	Washer	2	
12-16	U1601507	Screw	2	

13. Control Box and Other Mechanism



Ref.No	Parts No	NAME OF PARTS	Q'ty	Assembly No
13-1	711E0015	UPRIGHT TABLE	1	
13-2	733D0001	CONTROL PANEL ASSY	1	
13-3	264A0001	CONNECTOR	4	
13-4	703F0021	SCREW	4	
13-5	703G3005	CONTROL PANEL BASE	1	
13-6	10080020	SCREW	4	
13-7	70220004	SWITCH	1	
13-8	70220015	POWER WIRE	1	
13-9	733F2000	PEDAL	2	
13-9-1	721C0001	PEDAL BASE	1	
13-9-2	711A0007	THREAD LIPPEER	1	
13-9-3	003204060006	SCREW	7	
13-11	260A0005	WASHER	8	
13-12	70230009	SPRING WASHER	8	
13-13	703F0016	EARTH WIRE MARK	1	
13-14	703F001	EARTH WIRE	2X1.5M	
13-15	70312010	SCREW	1	

14. Accessories



Ref.No	Parts No	NAME OF PARTS	Q'ty	Assembly No
14-1	1008300	THREAD STAND ASSY	1SET	
14-2	720L0006	GUN	1	
14-3	733D1000	MANUAL BOOK	1SET	
14-4	711D0015	HEAD COVER	1	
14-5	70357006	BOBBIN	8	
14-6	10080013	SCREW DRIVER	1SET	
14-7	260E0007	SCREW DRIVER	1	
	260E0008	SCREW DRIVER	1	
	260E0009	SCREW DRIVER	1	
	260E0010	SCREW DRIVER	1	
	260E0011	SCREW DRIVER	1	
14-8	260E0005	OILER	1	
14-9	15410002	NEEDLE DPX5	4	
14-9	711J0001	NEEDLE DPX17	4	
14-10	720J0004	MSP-20	1	
14-11	720L0011	MPP-20	1	
14-12	720L0010	PU0805BU	1	
14-13	720L0008	MPM-20	1	
14-14	70374004	PU0604BU	1	
14-15	720J0004	MSP-20	1	
14-16	720L0010	PU0805BU	1	
14-17	720L0009	PG08-06	1	
14-18	703F0012	OIL MANAGEMENT	1	
14-19	10080006	SCREW	3	
14-20	703D0034	SCREW (SM11/64X40 L=8)	6	
14-21	70312010	SCREW (SM11/64X40)	6	
14-22	71160019	E-RING	6	
14-23	70320011	SUPPORT BRACKET A	6	
14-23-1	70312011	WASHER(GB/T848-1985 4)	6	
14-24	733I0005	NEEDLE PLATE SUPPORT PLATE	1	
14-25	703F0004	OIL CAN	1	
14-26	703G0010	FUSE (3A)	2	
14-27	703G0011	FUSE (6A)	2	
14-28	703G0012	FUSE(10A)	2	
14-29	10080019	OIL BOTTLE	1	
14-31	719D0011	FEEDING CLAMP	4	

www.garudan.cz